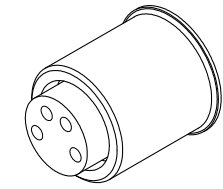
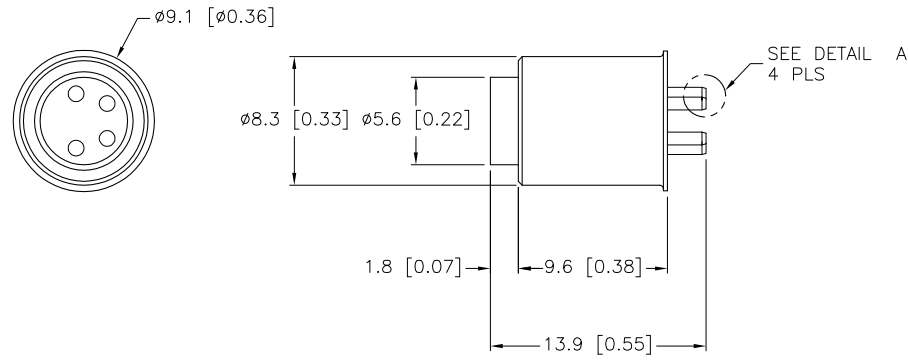


SPECIFICATIONS	
CONTACT CARRIER MATERIAL	TPU
CONTACT MATERIAL/PLATING	BRASS/GOLD
RATED CURRENT [A]	4.0 A
RATED VOLTAGE [V]	30VAC/36VDC
TEMPERATURE RANGE	-30°C to +80°C (-22°F to +176°F)




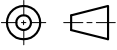
ISOMETRIC VIEW



SOURCE DRAWING - FOR REFERENCE ONLY

NOTES:

1. "/S862" DESIGNATES NO FLAG OR BAG LABEL. BULK PACKED AND LABEL ON BOX ONLY.

RELATED DOCUMENTS		3RD ANGLE PROJECTION		THIS DRAWING IS PROPERTY OF TURCK INC. USE OF THIS DOCUMENT WITHOUT WRITTEN PERMISSION IS PROHIBITED.		 3000 CAMPUS DRIVE MINNEAPOLIS, MN 55441 1-800-544-7769 (763) 553-7300 (763) 553-0708 fax turck.com		
1.			DRFT	RWC	DATE	01/12/06	DESCRIPTION	
2.			DSGN		SCALE	1=.5		
3.		ALL DIMENSIONS DISPLAYED ON THIS DRAWING ARE FOR REFERENCE ONLY	UNIT OF MEASUREMENT				IDENTIFICATION NO.	REV
4.			MILLIMETER [INCH]					
MATERIAL		CONTACT TURCK FOR MORE INFORMATION	DO NOT SCALE THIS DRAWING				FILE: U0946-09	SHEET 1 OF 1
SEE SPECIFICATIONS								
FINISH			MFKB 4/S862					
SEE SPECIFICATIONS			U0946-09				B	
B	DRAWING PROCESSED AS PART OF ECO 33971	CBM	04/07/11	33971				
REV	DESCRIPTION	BY	DATE	ECO NO.				